

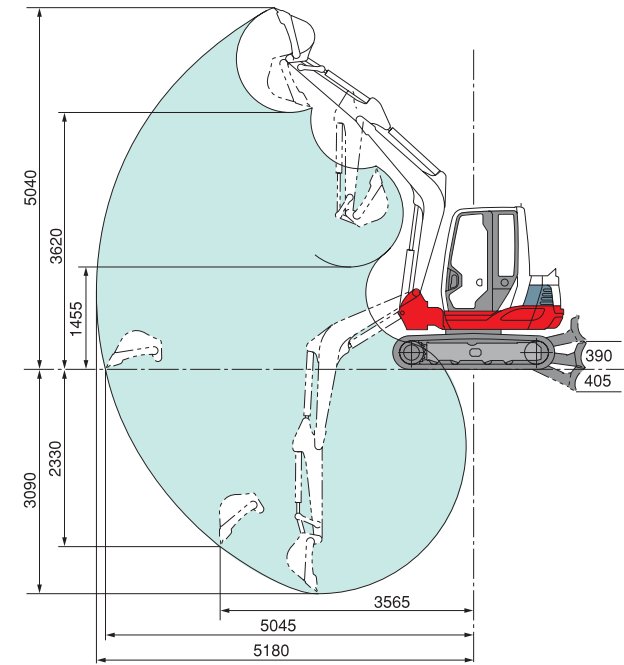
TB235

FULL HYDRAULIC COMPACT EXCAVATOR

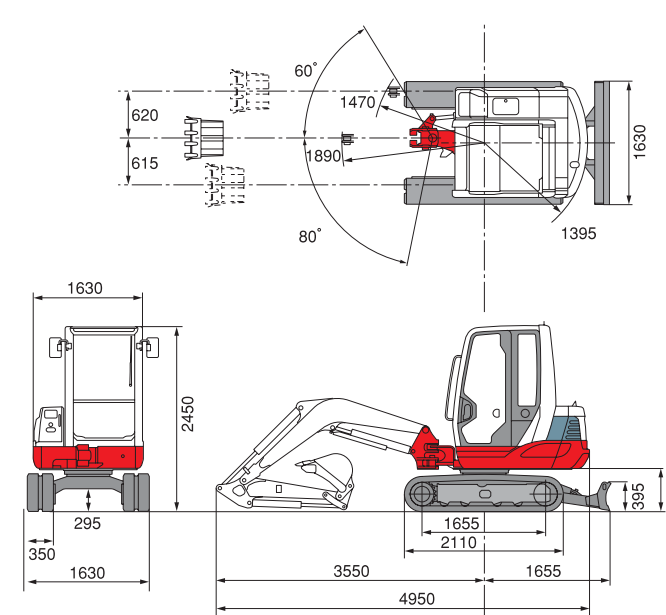
TAKEUCHI

TAKEUCHI FULL HYDRAULIC COMPACT EXCAVATOR TB235

OPERATING RANGES: mm



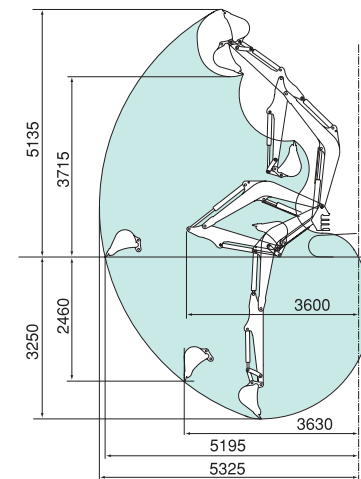
MACHINE DIMENSIONS: mm



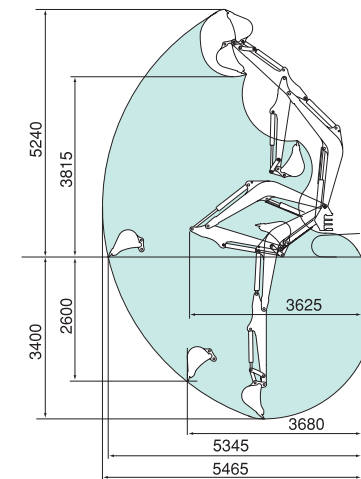
TB235

FULL HYDRAULIC COMPACT EXCAVATOR

MIDDLE ARM



LONG ARM



SPECIFICATIONS TB235 (Cab, Rubber Tracked, Standard Arm, Breaker Piping Standard)

Weight		Fuel Tank	L	52.5	HYDRAULIC SYSTEM		
Machine Weight	kg	Electric System		12V/40A	Pump type	Variable x 2 + Gear x 2	
		Canopy	3390		Set Pressure	MPa 21.0 x 2 + 19.6 x 1 + 3.4 x 1	
		Cabin	3530		Discharge	L/min 38.9 x 2 + 22.8 x 1 + 10.8 x 1	
Bucket		PERFORMANCE				Slew Motor	Piston Motor
Bucket Capacity (Heaped) m ³	0.105 (Heaped)	Traction Speed	km/h	2.6 / 5.0	Traction Motor	2-Speed Piston Motor	
Bucket Width	mm 540	Upper Slew Speed	min ⁻¹	10	Hydraulic Oil Capacity	35 (Level) / 67 (System)	
Diesel Engine (Water-Cooled)		Gradeability	degrees	30°	SAFETY		
Model	3TNV88	Max Dig power Bucket	kN	27	ROPS / FOPS (CABIN / CANOPY)	ROPS / FOPS	
Cylinders / Type	3/4CYCL	Max Dig power Arm	kN	SSA: 18.3 MSA: 17.1 LSA: 16.0	Option & Equipments		
Rated Power	kW 21.5/2,400 min ⁻¹	Ground Pressure	kPa	Canopy 26.8 Cabin 27.9	Service Port 1	L/min/MPa 61.7 / 21.0	
Maximum Torque	N·m 98.6-107.4	OFF-SET DIG FUNCTION				Service Port 2	L/min/MPa 22.8 / 19.6 (Option)
Displacement	mL 1642	Type		Boom Swing	Service Port 3	L/min/MPa 10.8 / 3.4 (Option)	
Engine Coolant	L 8.7	TRACTION SYSTEM : mm					
Engine Oil	L 4.7	Type		Rubber / Stee			

TAKEUCHI

WORLD CREATOR OF COMPACT EXCAVATOR
TAKEUCHI MFG.CO.,LTD.
 205, Uwadaira, Sakaki-machi, Hanisina-gun,
 Nagano 389-0605, Japan
 Phone (81)268-81-1112
 Telefax (81)268-81-1121
 URL <http://www.takeuchi-mfg.co.jp>
 E-mail: marketing@takeuchi-mfg.co.jp

In accordance with our established policy of constant improvement, we reserve the right to amend this specification at any time without notice. Printed in Japan. TK 080350



TB235

FULL HYDRAULIC COMPACT EXCAVATOR

Machine Weight : 3530kg

TAKEUCHI

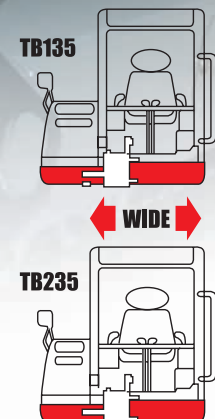


TB235 FULL HYDRAULIC COMPACT EXCAVATOR



OPERATOR COMFORT

EVOLUTION OF TECHNOLOGY



- **6-WAY MULTI-ADJUSTABLE SUSPENSION SEAT** and retractable seat belt
- **ROLL UP FRONT WINDOW** with gas spring lift assist cylinder
- **INTERIOR IMPROVEMENTS** include cup holders, and storage compartments.
- **RADIO WITH AUXILIARY JACK** for Mp3 player (CABIN)

● **CABIN COMES STANDARD WITH HEATER** with an option for air conditioner

● **UPDATED AND EASY TO READ MONITOR** that is equipped with audible and visual warnings in the event of an abnormal decreases in engine lubrication pressure or excessive engine coolant temperature.

● **LARGE, ADJUSTABLE ARM RESTS**



● **SHORT PITCH RUBBER TRACKS**

● **DOUBLE FLANGED TRACK ROLLERS** provide increased roller / rail contact

- **ISOLATION MOUNTED PLATFORM** minimizes noise and vibration
- **SPACIOUS AND COMFORTABLE** operator's compartment with a clear, panoramic view. Cabin is 12% larger than previous models
- **TWO REAR VIEW MIRRORS** (CABIN)



SERVICEABILITY

EVOLUTION OF TECHNOLOGY

ENVIRONMENTAL SENSITIVITY

New emissions compliant engines are designed to meet the most strict exhaust emission standards worldwide



- **TILT FORWARD OPERATOR PLATFORM** is quickly and easily raised for optimum machine serviceability. Maintenance and repair time are significantly reduced through quick and unencumbered access to the inside of the machine.
- **BATTERY, WATER SEPARATOR AND MAIN FUSES** are easily replaced
- **GREASE GUN** storage compartment
- **SIDE-BY-SIDE RADIATOR** and hydraulic oil cooler with tilt up side cover
- **NEW TYPE FUEL FILTERS** have longer service interval times
- **INTEGRATED TIE DOWN POINTS**
- **BULKHEAD STYLE HYDRAULIC FITTINGS** for the boom and dozer blade for quick and easy hose changes.
- **CUSHIONED BOOM SWING** cylinders

EASE OF OPERATION

EVOLUTION OF TECHNOLOGY

- **PROPORTIONAL AUXILIARY HYDRAULIC CONTROL** (Please refer to the "OPTION")
- **PUSH BUTTON DECEL SYSTEM** with optional auto decel
- **TWO-SPEED TRAVEL SWITCH** is conveniently located on the right hand travel lever
- **TWO SPEED TRAVEL WITH AUTOMATIC STEP DOWN TRAVEL MOTORS**



SAFETY

EVOLUTION OF TECHNOLOGY

- **ROPS/FOPS** Certified cab/canopy
- **CAST IRON WRAP-AROUND COUNTERWEIGHT** protects the engine compartment from damage when working in confined areas
- **FRONT AND REAR MOUNTED LIGHTS** improve job site safety conditions
- **SPRING APPLIED, HYDRAULICALLY RELEASED** wet disk brake for travel and slew motors
- **AUDIBLE AND VISUAL WARNINGS** in the event of an abnormal decreases in engine lubrication pressure or excessive engine coolant temperature.



● **SAFETY LOCKOUT LEVER** for travel and operating controls

- **BUCKET CYLINDER AND AUXILIARY CIRCUIT HOSES** are routed through the arm for increased protection against abrasion and damage
- **PILOT CIRCUIT FILTER**
- **BOOM CIRCUIT LOCK-VALVE**

OPTIONS

EVOLUTION OF TECHNOLOGY

SERVICE PORT

- **STANDARD : SERVICE PORT 1**
- **OPTION : SERVICE PORT 2**
- **OPTION : SERVICE PORT 3** (NORMAL / HI-PRESSURE TYPE)

SERVICEABILITY

- **DUAL AIR FILTER ELEMENT**

HOLDING VALVE

- **BOOM HOLDING VALVE**
- **ARM HOLDING VALVE**

OPERATOR COMFORT

- **AIR CONDITIONER** (CABIN)
- **ASH TRAY** (CABIN)
- **WORK LIGHT FRONT X 2**
- **WORK LIGHT REAR X 1** (CABIN)
- **AUTO DECEL SYSTEM** (STANDARD : BUTTON / OPTION : AUTO)



OTHER OPTIONS

- **AUXILIARY HYDRAULIC CONTROL FOR SERVICE PORT 1**
- **STANDARD : BY BUTTON ON LEFT LEVER**
- **OPTION(1) : BY FOOT SWITCH** (ON / OFF)
- **OPTION(2) : BY PROPORTIONAL Slide CONTROL ON LEFT LEVER**
- **CONTROL PATTERN SELECTOR VALVE**



- **LONG ARM / MIDDLE ARM**
- **STEEL CRAWLER**
- **RUBBER PAD CRAWLER**
- **ACCUMULATOR**
- **AIR BREATHER FOR HYDRAULIC OIL**
- **BATTERY DISCONNECT SWITCH**
- **TRAVEL ALARM**
- **ARM-IN RESTRICTION SYSTEM**

● **BREAKER (TKB301)**



TB235 FULL HYDRAULIC COMPACT EXCAVATOR