

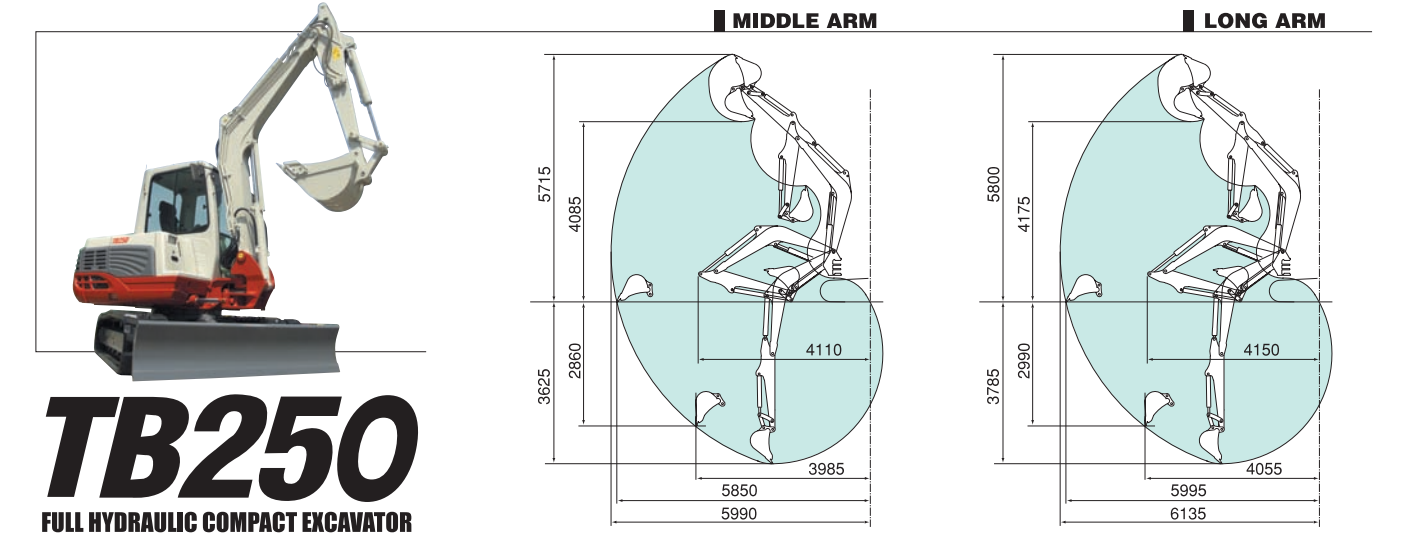
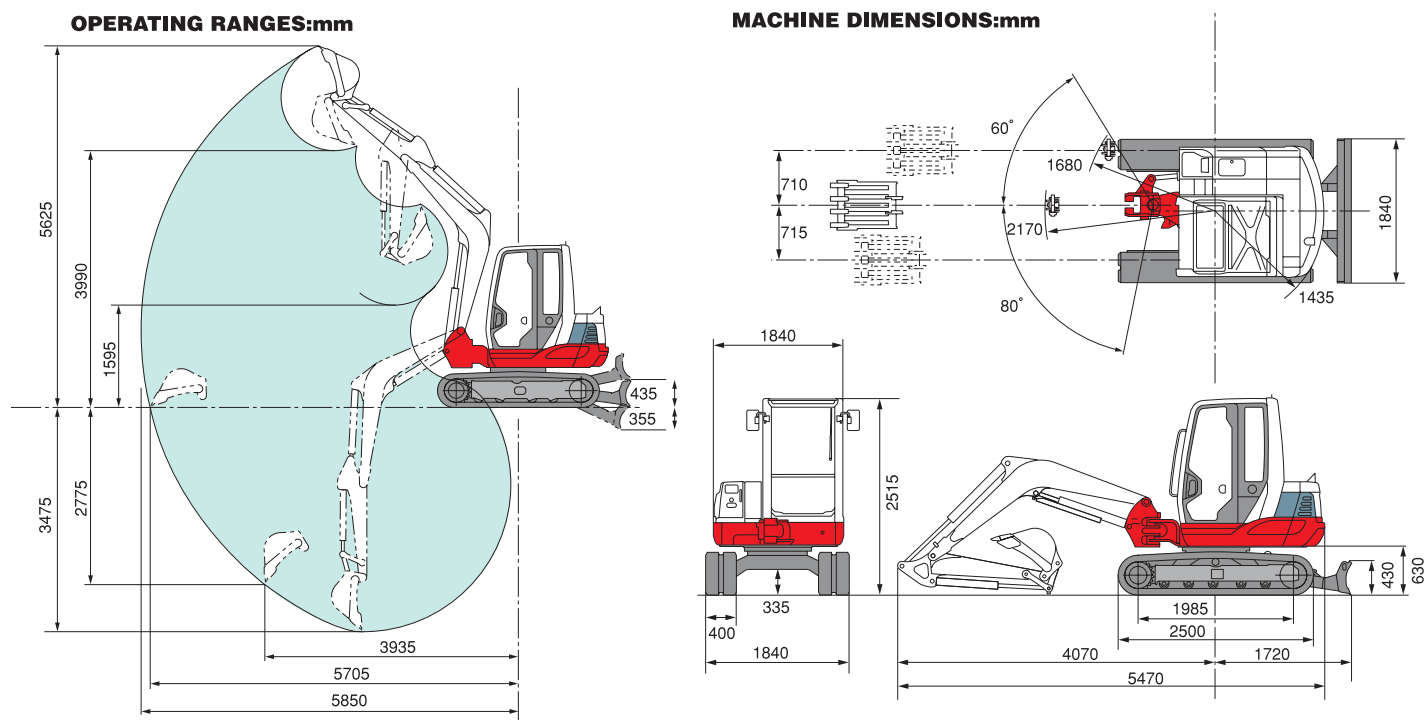


TB250

FULL HYDRAULIC COMPACT EXCAVATOR

TAKEUCHI

TAKEUCHI FULL HYDRAULIC COMPACT EXCAVATOR TB250



TB250

FULL HYDRAULIC COMPACT EXCAVATOR

SPECIFICATIONS TB250 (Cab, Rubber Tracked, Standard Arm, Breaker Piping Standard)

Weight		Fuel Tank	L	73	HYDRAULIC SYSTEM	
Machine Weight	kg	Electric System		12V/40A	Pump type	Variable x 2 + Gear x 2
		PERFORMANCE			Set Pressure	MPa 21.0 x 2 + 19.6 x 1 + 3.4 x 1
Bucket		Traction Speed	km/h	2.8 / 5.2	Discharge	L/min 58.3 x 2 + 38.9 x 1 + 10.8 x 1
Bucket Capacity (Heaped)	m ³ 0.141 (Heaped)	Upper Slow Speed	min ⁻¹	9.8	Slew Motor	Piston Motor
Bucket Width	mm 640	Gradeability	degrees	30°	Traction Motor	2-Speed Piston Motor
Diesel Engine (Water-Cooled)		Max Dig power Bucket	kN	37.2	Hydraulic Oil Capacity	52 (Level) / 88 (System)
Model	4TNV88	Max Dig power Arm	kN	SSA: 25.9 MSA: 24.3 LSA: 22.9	SAFETY	
Cylinders / Type	4/4CYCL	Ground Pressure	kPa	Canopy 27.3 Cabin 28.1	ROPS / FOPS (CABIN / CANOPY)	ROPS / FOPS
Rated Power	kW 28.4/2,400 min ⁻¹	OFF-SET DIG FUNCTION			Option & Equipments	
Maximum Torque	N·m 131.8-143.4	Type		Boom Swing	Service Port 1 L/min/MPa	58.3 / 20.6
Displacement	mL 2185	TRACTION SYSTEM : mm			Service Port 2 L/min/MPa	38.9 / 19.6 (Option)
Engine Coolant	L 12.4	Type		Rubber / Steel	Service Port 3 L/min/MPa	10.8 / 3.4 (Option)
Engine Oil	L 7.4					

TAKEUCHI

WORLD CREATOR OF COMPACT EXCAVATOR
TAKEUCHI MFG.CO.,LTD.
 205, Uwadaira, Sakaki-machi, Hanisina-gun,
 Nagano 389-0605, Japan
 Phone (81)268-81-1112
 Telefax (81)268-81-1121
 URL <http://www.takeuchi-mfg.co.jp>
 E-mail: marketing@takeuchi-mfg.co.jp

In accordance with our established policy of constant improvement, we reserve the right to amend this specification at any time without notice. Printed in Japan. TK 080650



TB250

FULL HYDRAULIC COMPACT EXCAVATOR

Machine Weight : 4890kg

TAKEUCHI

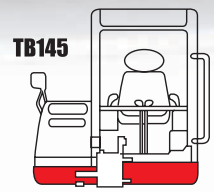


TB250 FULL HYDRAULIC COMPACT EXCAVATOR



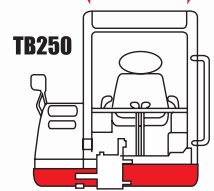
OPERATOR COMFORT

EVOLUTION OF TECHNOLOGY



TB145

- **6-WAY MULTI-ADJUSTABLE SUSPENSION SEAT** and retractable seat belt
- **ROLL UP FRONT WINDOW** with gas spring lift assist cylinder



TB250

- **INTERIOR IMPROVEMENTS** include cup holders, and storage compartments.
- **RADIO WITH AUXILIARY JACK** for Mp3 player (CABIN)

- **CABIN COMES STANDARD WITH HEATER** with an option for air conditioner

- **UPDATED AND EASY TO READ MONITOR** that is equipped with audible and visual warnings in the event of an abnormal decreases in engine lubrication pressure or excessive engine coolant temperature.

- **LARGE, ADJUSTABLE ARM RESTS**



- **SHORT PITCH RUBBER TRACKS**
- **DOUBLE FLANGED TRACK ROLLERS** provide increased roller / rail contact

- **ISOLATION MOUNTED PLATFORM** minimizes noise and vibration
- **SPACIOUS AND COMFORTABLE** operator's compartment with a clear, panoramic view. Cabin is 12% larger than previous models
- **TWO REAR VIEW MIRRORS** (CABIN)



SERVICEABILITY

EVOLUTION OF TECHNOLOGY

- **TILT FORWARD OPERATOR PLATFORM** is quickly and easily raised for optimum machine serviceability. Maintenance and repair time are significantly reduced through quick and unencumbered access to the inside of the machine.
- **BATTERY, WATER SEPARATOR AND MAIN FUSES** are easily replaced
- **GREASE GUN** storage compartment
- **SIDE-BY-SIDE RADIATOR** and hydraulic oil cooler with tilt up side cover
- **NEW TYPE FUEL FILTERS** have longer service interval times
- **INTEGRATED TIE DOWN POINTS**
- **BULKHEAD STYLE HYDRAULIC FITTINGS** for the boom and dozer blade for quick and easy hose changes.



ENVIRONMENTAL SENSITIVITY

New emissions compliant engines are designed to meet the most strict exhaust emission standards worldwide

EASE OF OPERATION

EVOLUTION OF TECHNOLOGY

- **PROPORTIONAL AUXILIARY HYDRAULIC CONTROL** (Please refer to the "OPTION")
- **PUSH BUTTON DECEL SYSTEM** with optional auto decel
- **TWO-SPEED TRAVEL SWITCH** is conveniently located on the right hand travel lever
- **TWO SPEED TRAVEL WITH AUTOMATIC STEP DOWN TRAVEL MOTORS**
- **CUSHIONED BOOM SWING** cylinders



SAFETY

EVOLUTION OF TECHNOLOGY

- **ROPS/FOPS** Certified cab/canopy
- **CAST IRON WRAP-AROUND COUNTERWEIGHT** protects the engine compartment from damage when working in confined areas
- **FRONT AND REAR MOUNTED LIGHTS** improve job site safety conditions
- **SPRING APPLIED, HYDRAULICALLY RELEASED** wet disk brake for travel and slew motors
- **AUDIBLE AND VISUAL WARNINGS** in the event of an abnormal decreases in engine lubrication pressure or excessive engine coolant temperature.



- **SAFETY LOCKOUT LEVER** for travel and operating controls

- **BUCKET CYLINDER HORSES** are routed through the arm for increased protection against abrasion and damage
- **PILOT CIRCUIT FILTER**
- **BOOM CIRCUIT LOCK-VALVE**

OPTIONS

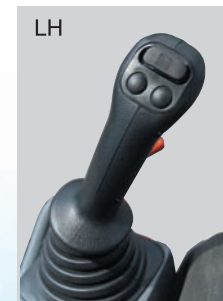
EVOLUTION OF TECHNOLOGY

- **SERVICE PORT**
- **SERVICE PORT 1 (STANDARD)** (NORMAL / HIGH-FLOW TYPE)
- **SERVICE PORT 2 (OPTION)**
- **SERVICE PORT 3 (OPTION)** (NORMAL OR HIGH PRESSURE TYPE)
- **SERVICEABILITY**
- **DUAL AIR FILTER ELEMENT**
- **HOLDING VALVE**
- **BOOM HOLDING VALVE**
- **ARM HOLDING VALVE**
- **OPERATOR COMFORT**
- **AIR CONDITIONER** (CABIN)
- **ASH TRAY** (CABIN)
- **WORK LIGHT FRONT X 2**
- **WORK LIGHT REAR X 1** (CABIN)
- **AUTO DECEL SYSTEM** (STANDARD : MANUAL / OPTION : AUTO)



OTHER OPTIONS

- **AUXILIARY HYDRAULIC CONTROL FOR SERVICE PORT 1**
- **STANDARD : BY BUTTON ON LEFT LEVER**
- **OPTION(1) : BY FOOT SWITCH** (ON / OFF)
- **OPTION(2) : BY PROPORTIONAL SLIDE CONTROL ON LEFT LEVER**



TB250

FULL HYDRAULIC COMPACT EXCAVATOR



- **CONTROL PATTERN SELECTOR VALVE**
- **LONG ARM / MIDDLE ARM**
- **STEEL CRAWLER**
- **RUBBER PAD CRAWLER**
- **ACCUMULATOR**
- **AIR BREATHER FOR HYDRAULIC OIL**
- **BATTERY DISCONNECT SWITCH**
- **TRAVEL ALARM**
- **ARM-IN RESTRICTION SYSTEM**
- **WIDE STEEL CRAWLER** (600 mm)
- **BREAKER (TKB301)**